



ISO 9001
ISO 14001
ISO 45001

TANVI MARINE GROUP



TANVI MARINETECH PVT. LTD.

Company Corporate Identity Number : U29243MH2019PTC330604.



TANVI MARINETECH LLC.



TANVI MARINE ENTERPRISES

INTRODUCTION / SUMMARY

TANVI MARINE ENTERPRISES as a company pioneering in the sales and support of refurbished marine Equipment's. We are thorough techno commercial professionals in this field and we wish to excel and make your organization excel to reach the zenith. We have a lot of customers throughout the world.

We are in sales of Reconditioned Equipment old & latest series, New Genuine, OEM of marine equipment's. We sell your requirements to make your project easy and fast. This is where we differ from others. Our varying ranges of products are listed below. We are confident to get an opportunity to serve you and in return we are committed to provide you with the best deal and service you have ever had.

VALUE DELIVERED

- Higher Standards
- More Transparent
- Lower Costs
- More Reliable
- Better People

SCOPE OF SUPPLY

1. Main Engine, Aux Engine Spares (Used, Reconditioned, New & OEM)
2. Complete Purifier (Mitsubishi, Alfa Laval, Westfalia Etc) New, OEM, Genuine Spares
3. Complete Main Compressor (All Makes) - Used, New OEM quality spares.
4. Complete AC Compressor (All Makes) - Used , New Genuine
5. Electric Motors (2nd hand as well as NEW) ABB Make Genuine Motor
6. Navigation Complete Equipment (Used & NEW)
7. Hydraulic Pumps & Motors (Used & NEW Genuine)
8. Anchor, Anchor Chain, Deck equipment (Used, New with Class certificate)
9. Flow Meters, Marine Valves (Used & NEW)
10. IMO, Allweiler, Desmi, Eureka Complete Pumps & Spares (Used, New OEM & Genuine Spares)
11. All Lashing Material for Container Vessels at very competitive price
12. Hermetic Tapes for Tanker vessels..... ETC...

SERVICES

We undertake and supervise repairs (Engine, Turbocharger, Steel work, Hydraulics, Electrical, and Automation Fire Fighting, Calibration, Cleaning & Painting etc.) to vessels calling at most Indian ports. We can provide services in following ports : Kandla, Sikka, Paradip, JNPT, Mumbai, Visakhapatnam, Chennai, Kolkata, Mangalore, Tuticorin, Ennore, Kochi Mormugao etc.

- **Providing Experienced & Skilled Riding Gangs**

In our expanding endeavour of dedicated services to the Maritime Industry, besides Polish riding gangs TANVI MARINE can now arrange highly skilled riding gangs from Romania, Ukraine and India as well, this is to meet the "Ever-increasing demand of our supply of Highly skilled, ex-shipyard Man-power" and tremendous response received from our clients for our Polish Riding Gangs.

- **Ultrasonic Thickness Measurement (UTM)**

Ultrasonic thickness measurement (UTM) is a method of performing nondestructive easurement (gauging) of the local thickness of a solid element basing on the time taken by the ultrasound wave to return to the surface. Ultrasonic thickness gauges are designed to improve safety and ensure reliability of materials subject to corrosion or erosion. The gauge is frequently used to monitor steel thickness in various areas of ships and offshore constructions. It is also used for monitoring pipelines. Advantages of UT Gauging is that it does not require access to both sides of the sample, it can be engineered to cope with coatings, linings, etc. and it give good accuracy.

LOGISTICS SOLUTIONS

AIR FREIGHT

OCEAN FREIGHT

MULTIMODAL TRANSPORTING



ENGINES

Bergen ▪ Bukh ▪ Caterpillar ▪ Cummins ▪ Daihatsu ▪ Deutz ▪ Fiat ▪ Himsen ▪ Mak ▪ Man B & W
▪ Mirrlees Blackstone ▪ Mitsubishi ▪ Rolls Royce ▪ Saab ▪ SKL ▪ Stork ▪ STK ▪ Sulzer ▪ Volvo Penta
▪ W. H. Allen ▪ Wartsila ▪ Yanmar

COMPRESSORS

Atlas Copco ▪ Compair Reavell ▪ Hamworthy ▪ Hatlapa ▪ Ingersoll Rand ▪ J.P. Sauer Sohn ▪
Matsubara ▪ Donghwa ▪ Sperre ▪ Tamrock ▪ Tamrotor ▪ Tanabe ▪ Telkoku ▪ Yanmar

PUMPS

▪ Allweiler ▪ Azcuedickow ▪ Hamworthy ▪ Heishin ▪ IMO ▪ Iron ▪ KSB ▪ Naniwa ▪ Shinko ▪
Shinkokinzoku ▪ Taiko Kikai ▪ Teikoku ▪ Thune Kureka

PURIFIERS

▪ Alfa Laval ▪ Mitsubishi ▪ Samgong ▪ Westfali ▪ Sabroe ▪ Daikin

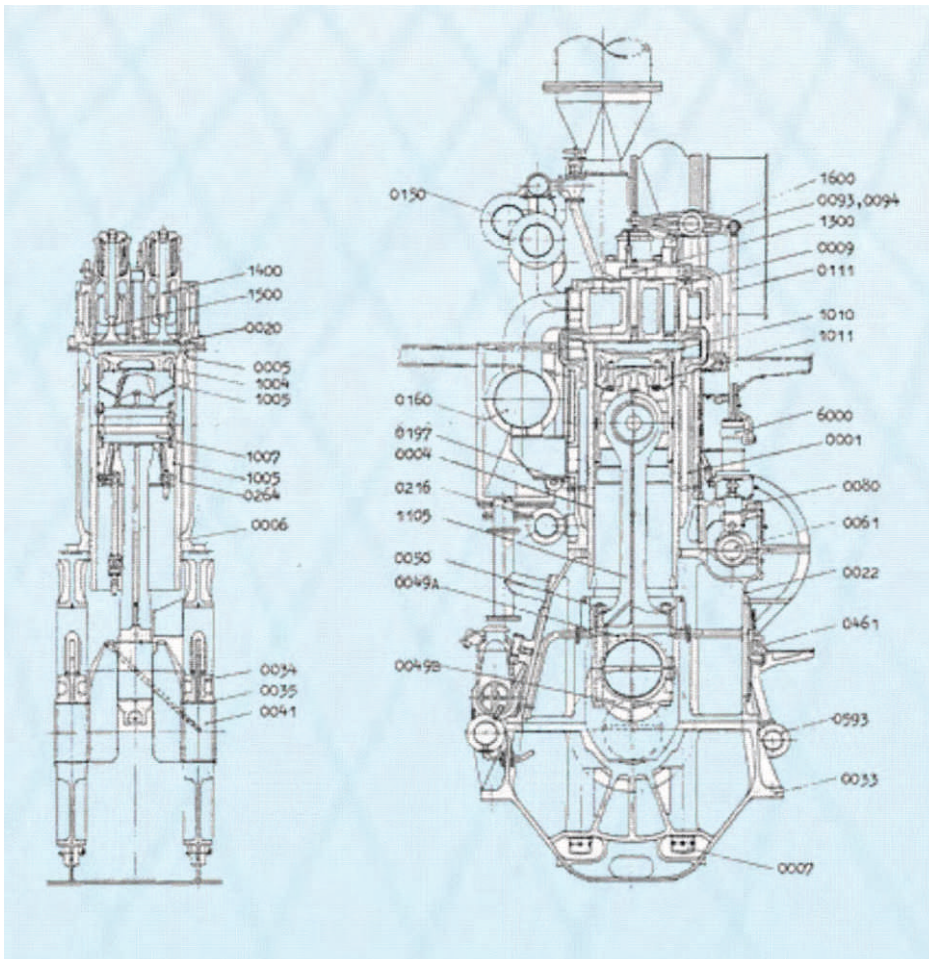
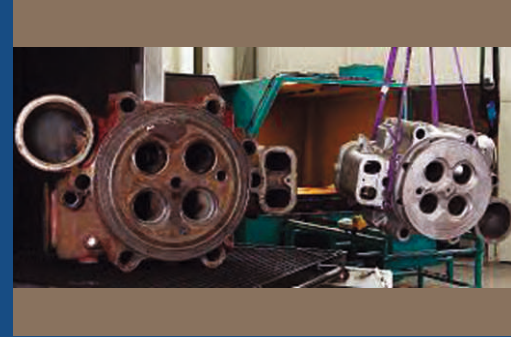
MISCELLANEOUS : EQUIPMENT AND MAKERS

Aalborg	Hydraulics
Anchors & Chains	Kamewa
Aquamaster Rauma	Kawasaki Precision
Automation	Kvaerner
Backwash Filters	Mooring / Deck Equipments
Boll & Kirch	Navigation Equipment
Cathelco	Porsgrunn Steering Gear
Cathodic Protection	PR. Guages
Danfoss	Pusnes
Dsk Sockets	Rexroth
Filters	Saacke
Flowmeters	Tank Coatinge
Governor	Telemecanique
Heat Exchangers	Turbo Chargers
Hydraulic Pumps & Motor	Wabco / Nabco
Garbage Compactors	Sinc Znodes

Website : www.tanvimarinetech.com

Email : sales@tanvimarinetech.com

Email : sales@tanvimarinegroup.com



TANVI MARINE GROUP



ISO 9001
ISO 14001
ISO 45001



ISO 9001
ISO 14001
ISO 45001



TANVI MARINETECH PVT. LTD.

Company Corporate Identity Number : U29243MH2019PTC330604.



TANVI MARINETECH LLC.



TANVI MARINE ENTERPRISES

Contact Person

Mr. Pushpakant Ghadigaonkar (Director)
(24/7) +91 9869794902 | +91 22-40051165

Tanvi Marine Tech Pvt Ltd (India)

Tanvi Marine Enterprises (India)

Office no.125, 1st Floor, Pragati Industrial Estate,
N.M.Joshi Marg, Lower Parel (East), Mumbai - 400011

Emails :

Tanvi Marine Tech Pvt Ltd : - sales@tanvimarinetech.com

Tanvi Marine Enterprises : - sales@tanvimarinegroup.com

Ship Serve ID

Tanvi Marine Enterprise
242743

Tanvi Marinetech Pvt Ltd
303853

Tanvi Marine Tech LLC (Dubai)

Shams Business Center, Sharjah Media City free Zone, AL Messanded, Sharjah, PO Box no. 333513 ,UAE
+971 5690 74743 | dubai.sales@tanvimarinetech.com